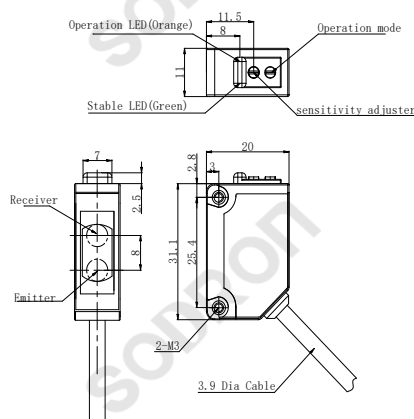




### Dimensions



Model	Technical parameters	
	Detection method	Diffuse Reflective Type
PF31V-D10BNS PF31V-D10BPS	Model	NPN PF31V-D10BNS PNP PF31V-D10BPS
	Sensing distance	10cm(Adjustable Distance)
<b>Product features</b>	Standard target	100*100 Reflectivity 90% White Cardboard
	Output mode	Light ON/Dark ON adjustable
<ul style="list-style-type: none"> <li>• Diffuse Reflective Type, Infrared light 850nm</li> <li>• Adopts ASIC, featuring fast response and high frequency</li> <li>• IEC IP67</li> </ul>	Light source	Infrared light 850nm
	Supply power	DC 12 ~ 24V $\pm$ 10% impulse(P-P) < 10% (DC10-30V)
<b>Connection</b>	Residual voltage	2V max(Load current $\leq$ 100mA)
	Current consumption	< 20mA
NPN	Load current	$\leq$ 100mA
	Circuit protection	Reverse connection protection, Short circuit protection
	Response time	<1ms
	Indicator light	Output: OrangeLED Stable: Green LED
PNP	Connection	Cable 2m
	Ambient temperature	Work: -25 ~ +55°C; Store: -30 ~ +70°C, (No dew condensation or icing allowed)
	Ambient humidity	Work: 35 ~ 85%RH, Store: 35 ~ 95%RH, (No dew condensation)
	Ambient illumination	Sunlight: 10,000Lx Lamplight:3,000Lx
	Withstand voltage	1000VAC, 50/60Hz,1min, between current-carrying parts and case
	Insulation resistance	> 20M $\Omega$ (DC500V megger) between current-carrying parts and case
	Anti-vibration	10~55Hz double-amplitude 1.5mmX,Y,Z 2h
	Impact resistance	500m/s <sup>2</sup> X,Y,Z, directions for 3 times
	Protection degree	IEC IP67
	Material	Housing
Lens		PMMA